



## MINI ANGLE DOZER BLADE (ML-200)

The Digga Mini Angle Dozer Blade is a versatile attachment for dozing, levelling ground and general earthmoving works.

### Features:

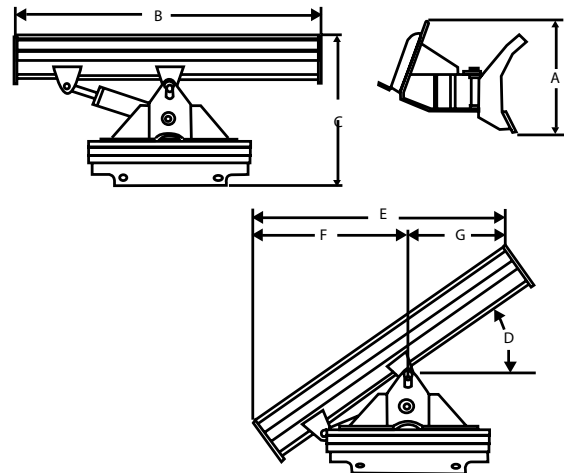
- 46" width available. (117cm)
- 30° left and right angle.
- Replaceable wear edge.
- 11° left and right tilt on Angle/Tilt model only.
  - ML-000381: suit dual remote machines
  - ML-000382: suit single remote machine
- (complete with Manual Hydraulic Diverter Valve)

### Ideal Use:

Dozing, grading, levelling of material in earthworks, landscaping, road works and more.

### Machine Suitability:

Mini Machines, Mini Loaders.



84" Dozer Blade also available



Specifications	
Height (A)	431mm
Width (B)	1193mm
Length (C)	558mm
Angle - Left & Right (D)	30°
Blade Width at Maximum Angle (E)	1016mm
Width from Centreline to Inside Edge @ Maximum Angle (F)	584mm
Width from Centreline to Outside Edge @ Maximum Angle (G)	393mm
Weight ( kgs)	116kgs

Contact your local professional dealer or contact Digga direct

THE BEST DOWNUNDER

# DIGGA

PHONE: 1300 2 DIGGA EMAIL: [info@digga.com](mailto:info@digga.com) WEB: [www.digga.com](http://www.digga.com)

QLD, NT  
4 Octal Street  
Yatala QLD 4207

NSW, ACT  
Unit 2, 36 Bluett Drive  
Smeaton Grange NSW 2567

VIC, SA, TAS  
27 Metcalf Street  
Dandenong VIC 3175

WA  
6/15 Yampi Way  
Willetton WA 6155

AUTHORISED  
DIGGA DEALER